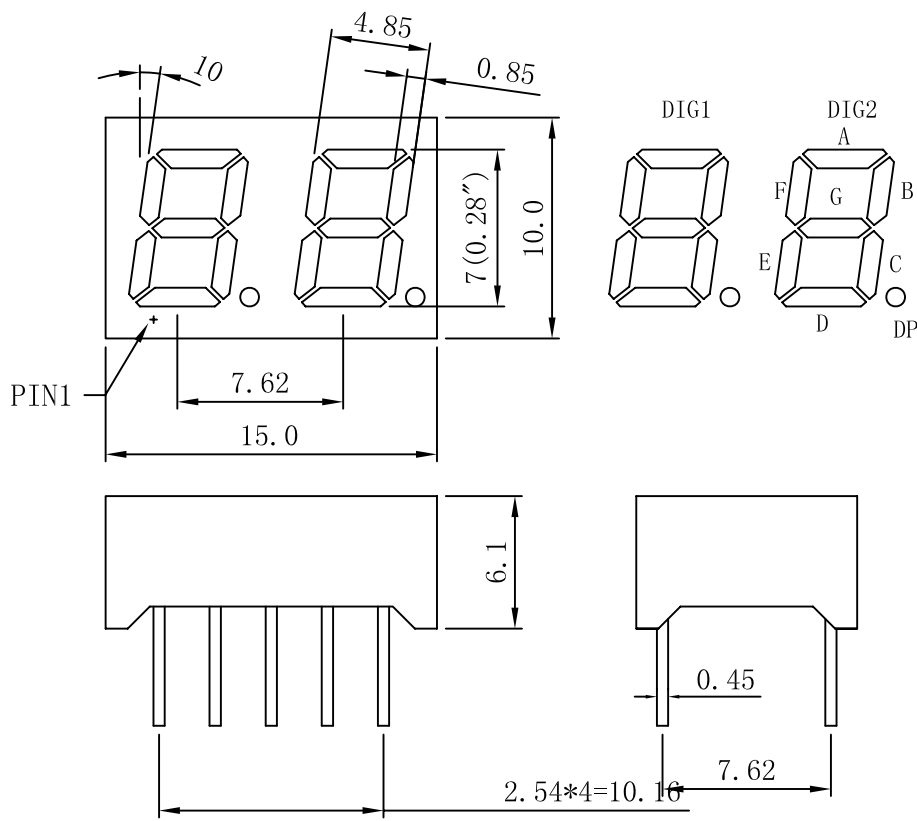
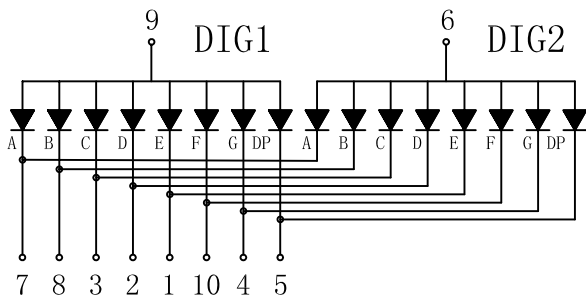


# PACKAGE DIMENSION

HQ-2822AB



CODE A



CODE B

