

承 认 书

SPECIFICATION FOR APPROVAL

客 户:

CUSTOMER

品 名: 0.39"四位白光数码管(共阳)

DESCRIPTION

型 號: HQ-S3941BW

MODEL

日 期: 15.01.08

DATE

注意:请恒流驱动,恒压驱动会因为电压不一致而抢电,导致亮度不均.

承 制 方

MANUFACTURER:

| 制 表 DRAFTING | 审 核 CHECK | 核 準 APPROVE |
|-----------------|--------------|----------------|
| 肖孟飞 | 龚育奇 | |

使 用 方

USER:

| 核 準 APPROVE | 簽 章 |
|----------------|-----|
| | |

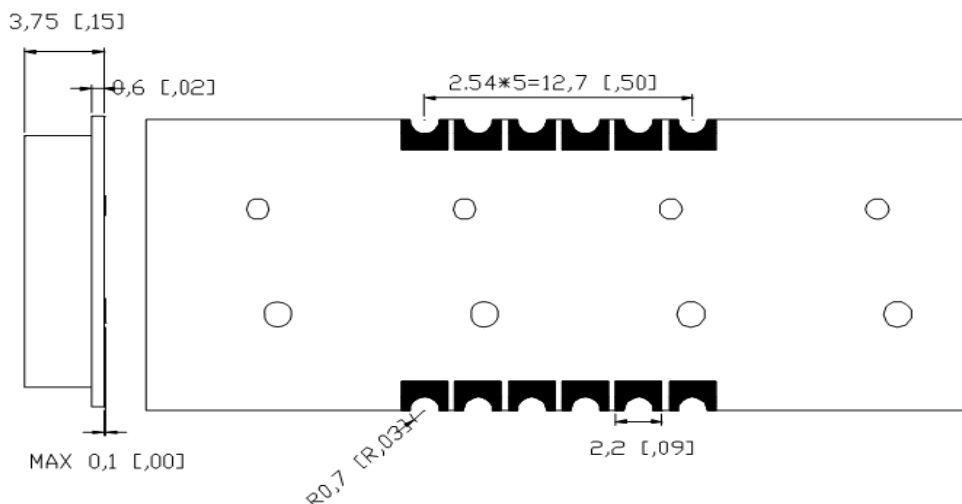
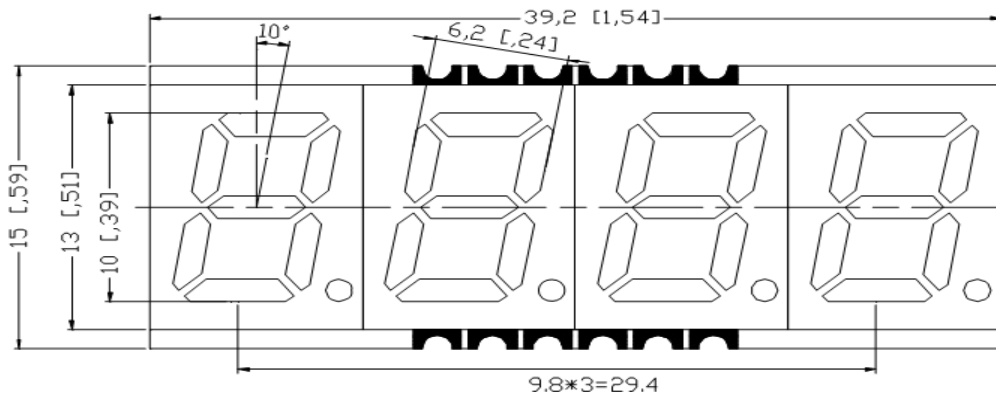
1. 产品描述 DESCRIPTION:

- 灰色显示面, 黄色笔段 Gray face, Yellow Epoxy
- 共阳显示屏 Common Anode Display
- 白色显示, White Color
- 符合 RoHS 要求 RoHS Compliant

2. 产品特征 FEATURES:

- 高可靠性和高稳定性 High intensity and reliability
- 高品质、和低功耗 High quality, Low power requirement
- IC 易兼容, 易装配 IC compatible Easy assembly
- ESD1000V

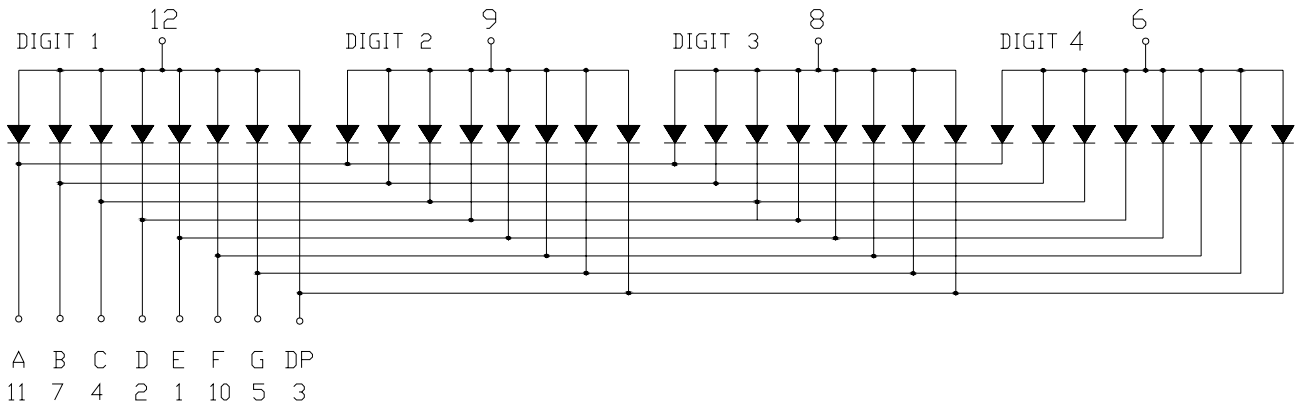
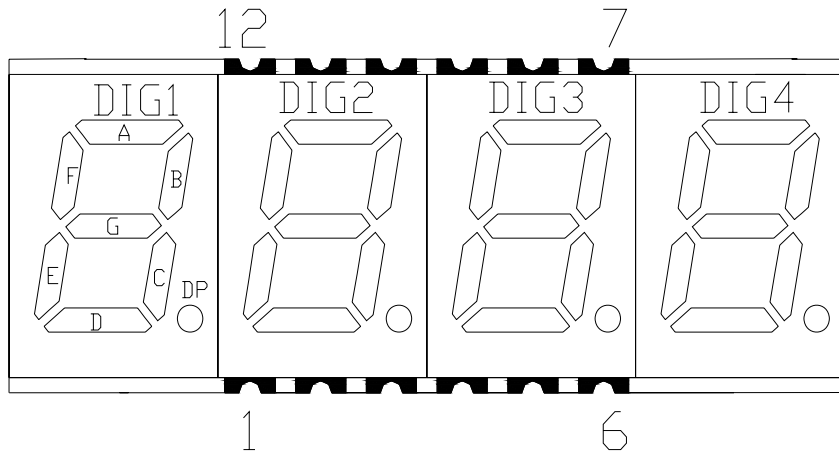
3. 产品外形尺寸 Outer Dimension:



备注: 未标注公差尺寸均为±0.25mm

NOTES: All dimensions are in millimeters (inches) tolerance are ± 0.25mm(0.010) unless otherwise noted

4. 产品线路图 INTERNAL CIRCUIT DIAGRAM



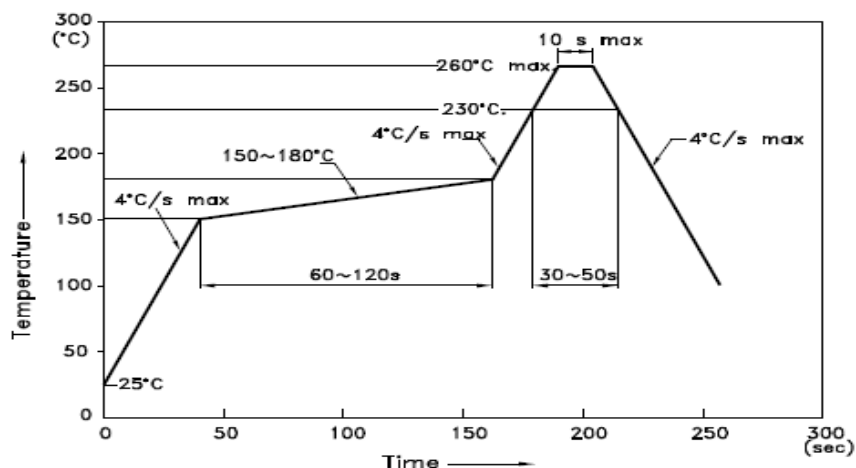
5、产品最大绝对参数值 (Ta: 25°C) ABSOLUTE MAXIMUM RATINGS AT Ta=25°C:

| 参数 (PARAMETER) | 最大值 Max. | 单位 UNIT |
|--|------------------|---------|
| 每段功耗 Power Dissipation Per Segment | 52 | mW |
| 每段峰值电流 Peak Forward Current Per Segment (1/10duty cycle 0.1ms pulse width) | 100 | mA |
| 每段平均正向电流 Average Forward Current Per Segment | 20 | mA |
| 从室温线性减少 Derating Linear From 25°C Per Segment | 0.33 | mA/°C |
| 每段反向电压 Reverse Voltage Per Segment | 5 | V |
| 工作条件温度 Operating Temperature Range | -40°C to + 105°C | |
| 储存温度 Storage Temperature Range | -40°C to + 105°C | |
| 距离胶体 1.6mm 焊接, 温度 260°C, 焊接时间最多 3 秒 Lead Soldering Temperature 260°C at 1.6mm From Body for 3 seconds | | |

6、产品光电参数值 (Ta: 25°C) ELECTRICAL/OPTICAL CHARACTERISTICS AT Ta=25°C:

| 参数 PARAMETER | 符号 SYMBOL | MIN. | TYP. | MAX. | UNIT | 测试条件 Test condition |
|--|----------------|------|------|------|------|------------------------|
| 每段亮度 Luminous Intensity Per Segment | I _v | — | 11 | — | mcd | I _F =10mA |
| 色坐标 Chromaticity Coordinates (Tolerance: ±0.02) | X | - | 0.27 | - | - | I _F =20mA |
| | Y | - | 0.25 | - | - | I _F =20mA |
| 每颗正向电压 Forward Voltage Per Dice | V _F | — | 3.0 | 3.8 | V | I _F =20mA |
| 每颗反向电流 Reverse Current Per Dice | I _R | — | — | 50 | μ A | V _R =5V |

7、推荐的 SMT 焊接曲线 Recommended SMT condition:



NOTES:

1. We recommend the reflow temperature 245°C(+/-5°C). The maximum soldering temperature should be limited to 260°C.
2. Don't cause stress to the epoxy resin while it is exposed to high temperature.
3. Number of reflow process shall be 2 times or less.