

## 承 認 書

### SPECIFICATION FOR APPROVAL

客 戶:

CUSTOMER

品 名: 0603红/黄绿双色LED

DESCRIPTION

型 號: HQ-0603RGC

MODEL

日 期: 14.07.31

DATE

承 制 方

MANUFACTURER:

制 表 DRAFTING	審 核 CHECK	核 準 APPROVE

使 用 方

USER:

核 準 APPROVE	簽 章

**Features**

**Features**

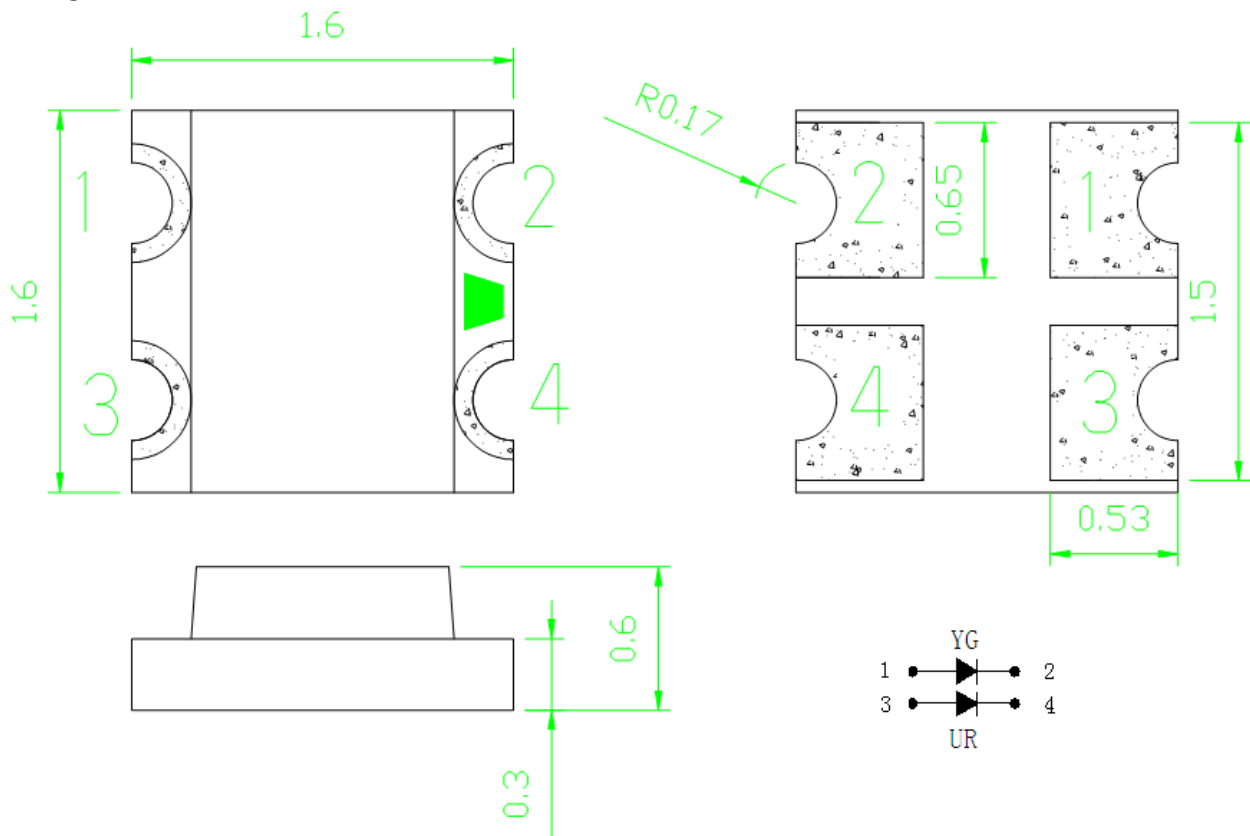
- \_1.6mmx1.6mm SMT LED,0.60mm THICKNESS.
- \_LOW POWER CONSUMPTION.
- \_WIDE VIEWING ANGLE.
- \_IDEAL FOR BACKLIGHT AND INDICATOR.
- \_VARIOUS COLORS AND LENS TYPES AVAILABLE.
- \_PACKAGE : 3000PCS / REEL.
- \_RoHS COMPLIANT.

**Description**

The Green source color devices are made with AlGaInP on GaAs substrate Light Emitting Diode.

The Hyper Red source color devices are made with DH InGaAlP on GaAs substrate Light Emitting Diode

**Package Dimensions**

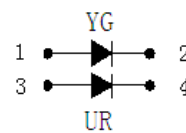


DB0606A01

**Notes:**

1. All dimensions are in millimeters (inches).
2. Tolerance is  $\pm 0.1(0.004")$  unless otherwise noted.
3. Specifications are subject to change without notice.

**Selection Guide**



Part No.	Dice	Lens Type	Iv (mcd) @ 20mA		Viewing Angle
			Min.	Typ.	2 θ 1/2
HQ-0603RGC	Yellow green	WATER CLEAR	25	50	120
	RED (InGaAlP)		70	150	

Note:

1. θ 1/2 is the angle from optical centerline where the luminous intensity is 1/2 the optical centerline value.

### Electrical / Optical Characteristics at TA=25°C

Symbol	Parameter	Device	Typ.	Max.	Units	Test Conditions
$\lambda_{peak}$	Peak Wavelength	Yellow green Red			nm	IF=20mA
$\lambda_D$	Dominant Wavelength	Yellow green Red	568 620	572 625	nm	IF=20mA
$\Delta\lambda_{1/2}$	Spectral Line Half-width	Yellow green Red	30 30		nm	IF=20mA
C	Capacitance	Yellow green Red	30 30		pF	VF=0V;f=1MHz
VF	Forward Voltage	Yellow green Red	1.9 1.9	2.1 2.1	V	IF=20mA
IR	Reverse Current	Yellow green Red		2 2	uA	VR = 7V

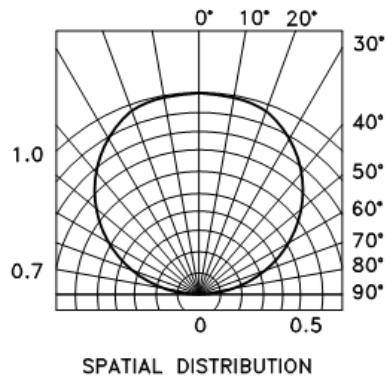
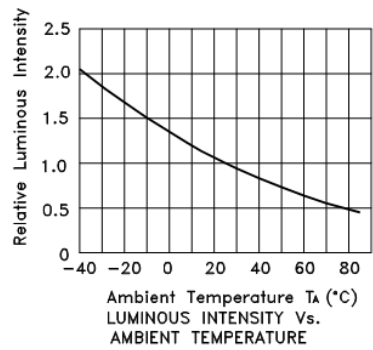
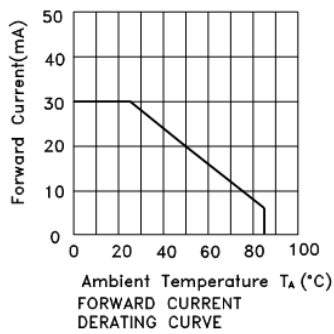
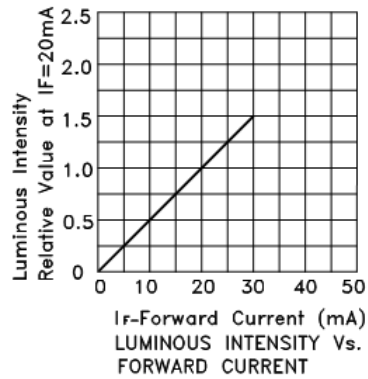
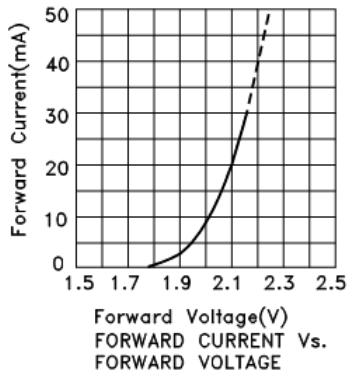
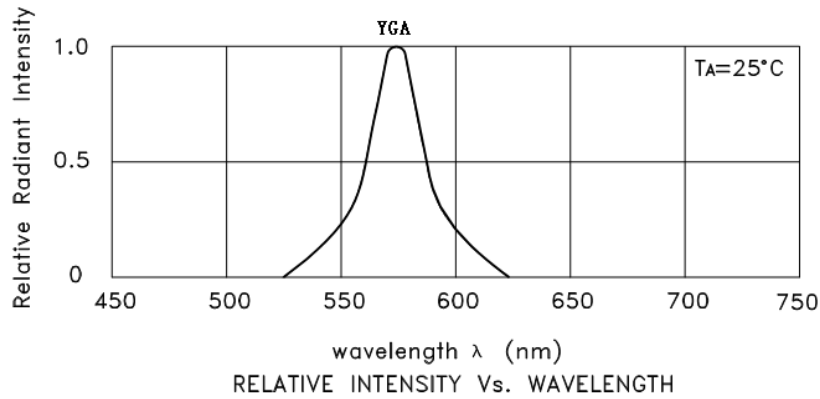
### Absolute Maximum Ratings at TA=25°C

Parameter	Yellow green	Red	Units
Power dissipation	75	75	mW
DC Forward Current	30	30	mA
Peak Forward Current [1]	80	80	mA
Reverse Voltage	5	5	V
Operating/Storage Temperature	-40°C To +85°C		

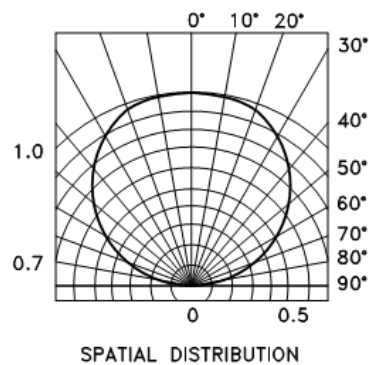
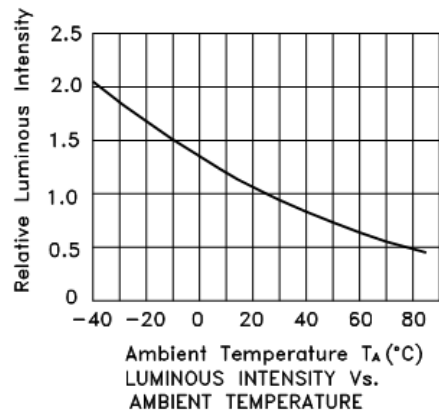
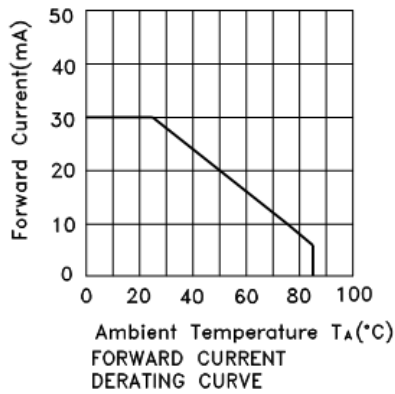
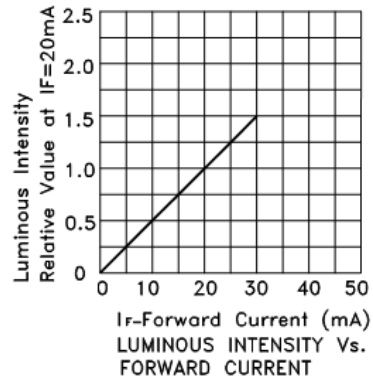
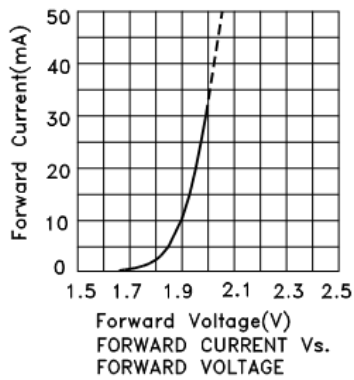
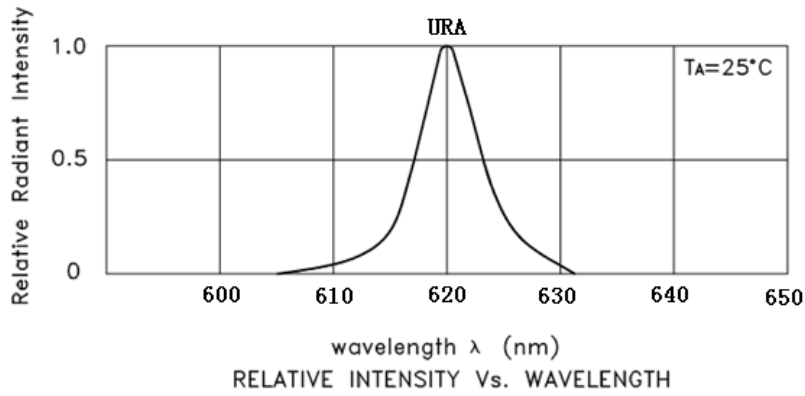
Note:

1. 1/10 Duty Cycle, 0.1ms Pulse Width.

Yellow green



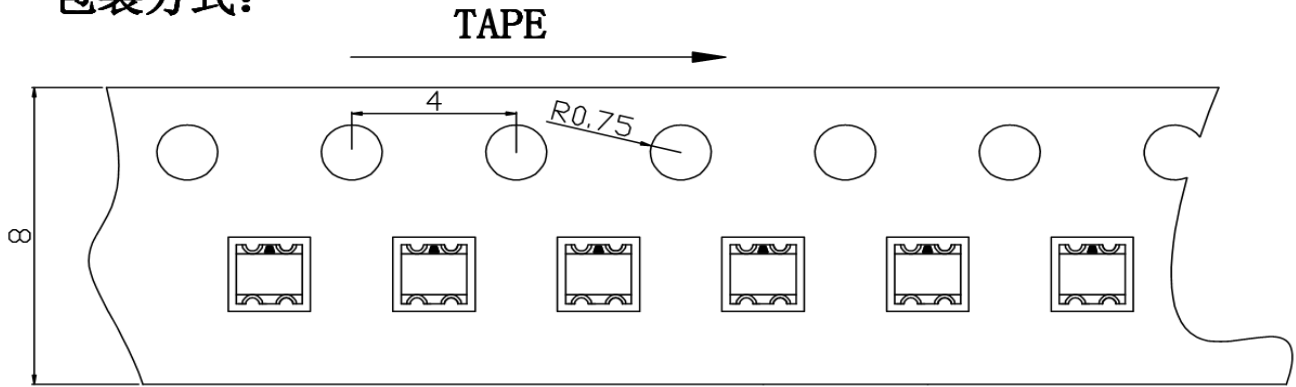
### Red



**包装 PACKAGING**

LEDS 在装带之后纸箱包装. The LEDs are packed in cardboard boxes after taping.

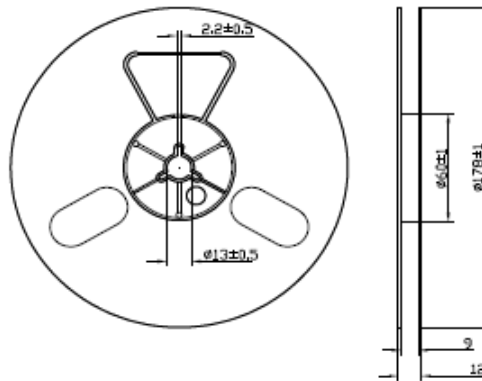
**包装方式:**



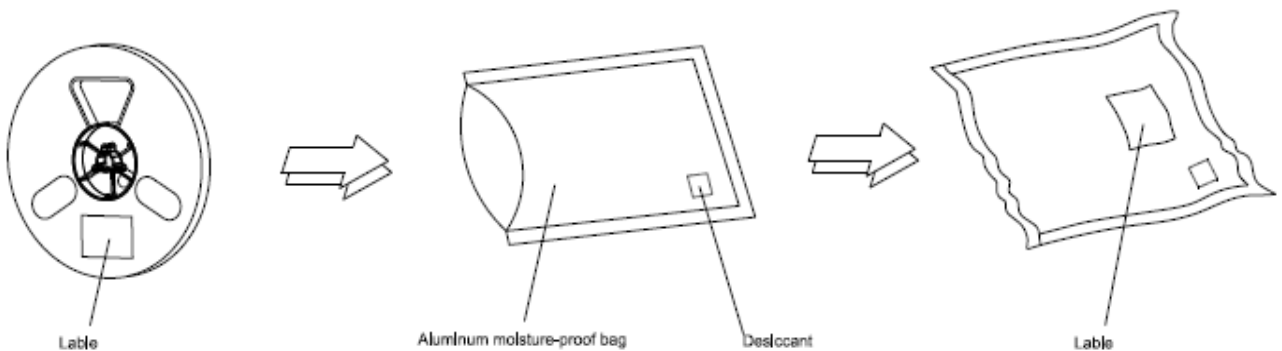
**Package: 3000 pcs/reel**

**Reel Dimensions**

卷轴尺寸



**Moisture Resistant Packaging 防潮带包装**



Note: The tolerances unless mentioned is  $\pm 0.1\text{mm}$ , Unit: mm 注: 标注公差为  $\pm 0.1\text{mm}$ , 单位: mm