

# 承 認 書

## SPECIFICATION FOR APPROVAL

客 戶:

CUSTOMER

品 名: 0603黄绿光LED

DESCRIPTION

型 號: HQ-0603YGC

MODEL

日 期: 14.07.08

DATE

承 制 方

MANUFACTURER :

使 用 方

USER:

制 表 DRAFTING	审 核 CHECK	核 準 APPROVE
李丽	龚育奇	

核 準 APPROVE	簽 章

东莞市宏齐光电科技有限公司

TEL: (0769) 87798508\*\*\*FAX: (0769) 87134135

## 0603 Package Chip LEDs

### HQ-0603YGC

#### Features

- Package in 8mm tape on 7" diameter reel.
- Compatible with automatic placement equipment.
- Compatible with infrared and vapor phase reflow solder process.
- Mono-color type.

#### Descriptions

- The 0603YGC SMD Taping is much smaller than lead frame type components, thus enable smaller board size, higher packing density, reduced storage space and finally smaller equipment to be obtained.
- Besides, lightweight makes them ideal for miniature applications. etc.

#### Applications

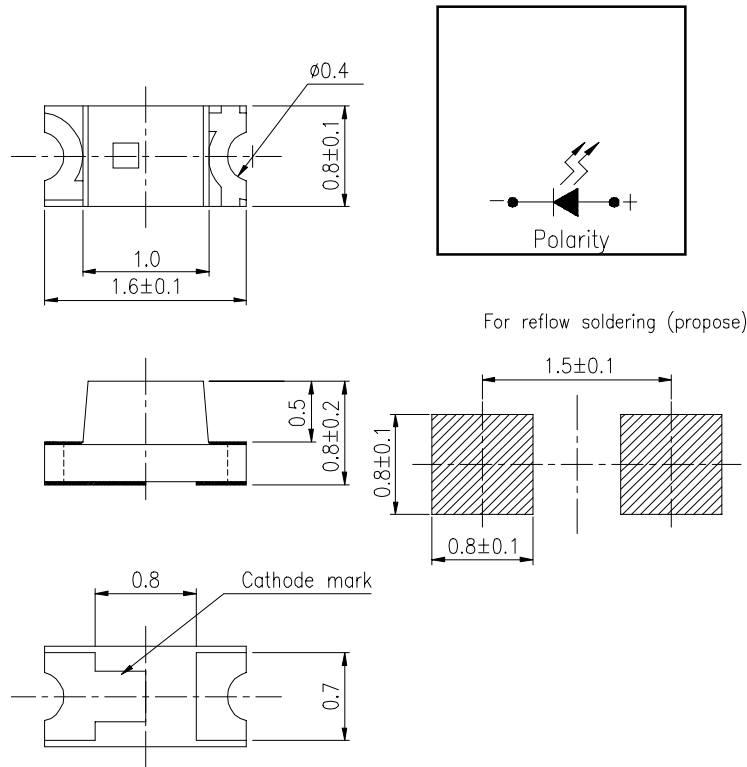
- Automotive: backlighting in dashboard and switch.
- Telecommunication: indicator and backlighting in telephone and fax.
- Flat backlight for LCD, switch and symbol.
- General use.



#### Device Selection Guide

Chip		Lens Color
Material	Emitted Color	
GaN/SiC	Super Blue	Water Clear

**Package Outline Dimensions**



**Notes:** Tolerances Unless Dimension  $\pm 0.1$ mm , Angle $\pm 0.5^\circ$  ,Unit = mm

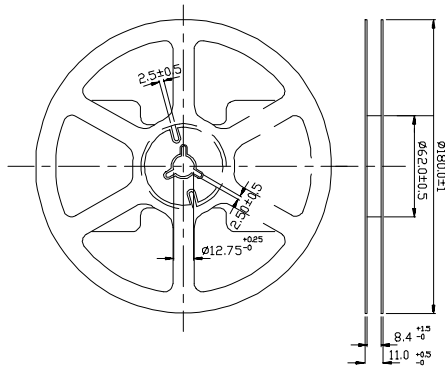
**Absolute Maximum Ratings (Ta=25°C)**

Parameter	Symbol	Rating	Unit
Reverse Voltage	V <sub>R</sub>	5	V
Forward Current	I <sub>F</sub>	25	mA
Operating Temperature	T <sub>opr</sub>	-40 ~ +85	°C
Storage Temperature	T <sub>stg</sub>	-40~ +90	°C
Soldering Temperature	T <sub>sol</sub>	260 (for 5 second)	°C
Power Dissipation	P <sub>d</sub>	140	mW
Peak Forward Current (Duty 1/10 @1KHz)	I <sub>F</sub>	100	mA

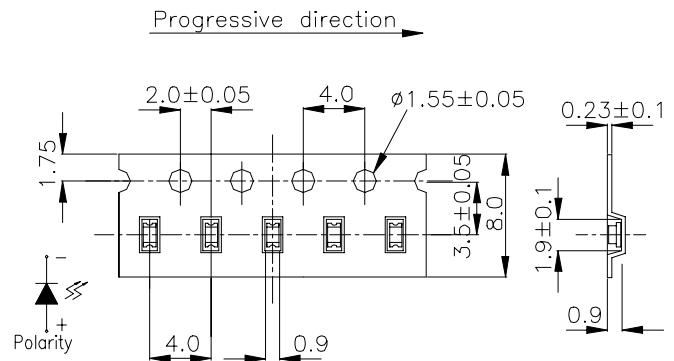
**Electro-Optical Characteristics (Ta=25°C)**

Parameter	Symbol	Min.	Typ.	Max.	Unit	Condition
Luminous Intensity	I <sub>v</sub>	30	40	-----	mcd	I <sub>F</sub> =20mA
Viewing Angle	2θ 1/2	-----	100	-----	deg	I <sub>F</sub> =20mA
Peak Wavelength	λ <sub>p</sub>	-----	565	-----	nm	I <sub>F</sub> =20mA
Dominant Wavelength	λ <sub>d</sub>	-----	575	-----	nm	I <sub>F</sub> =20mA
Spectrum Radiation Bandwidth	Δλ	-----	20	-----	nm	I <sub>F</sub> =20mA
Forward Voltage	V <sub>F</sub>	1.8	2.1	2.3	V	I <sub>F</sub> =20mA
Reverse Current	I <sub>R</sub>	-----	-----	10	μA	V <sub>R</sub> =5V

**Reel & Carrier Tape Dimensions**



**Loaded quantity per reel 4000 PCS/reel**



**Notes:** Tolerances Unless Dimension ± 0.1mm , Angle± 0.5° ,Unit = mm